

# Universal Angle Grinder

## 0 601 375 0X2 - GWS 600 / 220 V / IND / BOSCH

Illustration 1:

0 601 375 0X2

 Stand } 15-11-18  
 Issue }

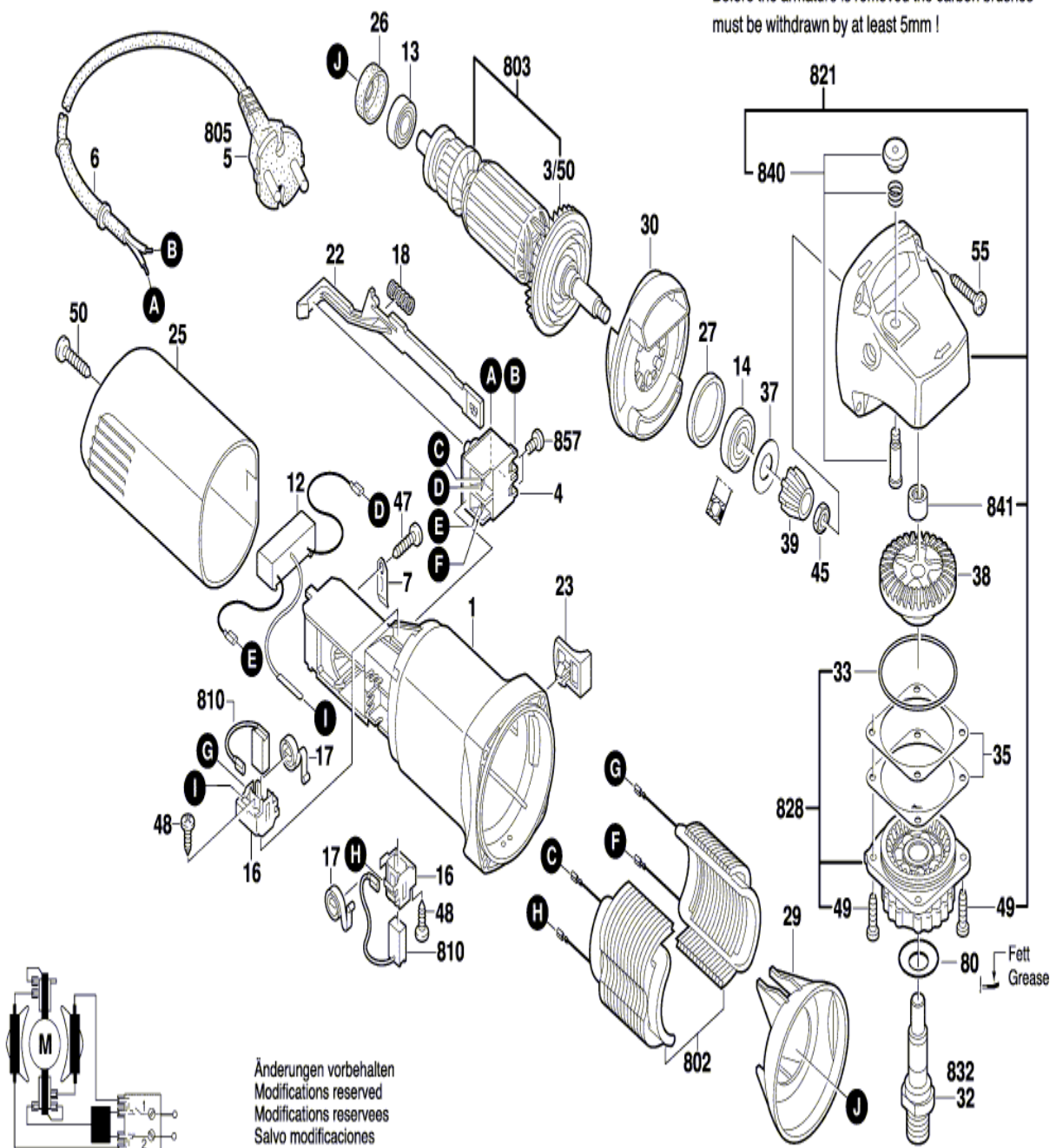
**Fig. / Abb. 1**

### Gerad - Verzahnung

● Vor Demontage des Ankers

Kohlebürsten 5mm zurückziehen !

Before the armature is removed the carbon brushes must be withdrawn by at least 5mm !



Änderungen vorbehalten  
 Modifications reserved  
 Modifications reserves  
 Salvo modificaciones

Pos.	Part Number	Description	Quantity	Illustration	Listed Price in INR
1	1 619 P09 772	Motor Housing	1	1	Rs 507.00
3/50	1 606 610 141	Fan	1	1	Rs 93.00
4	1 607 200 32E	Switch	1	1	Rs 195.00
5	1 604 460 72V	Power supply cord CN 2,65m 2 x 0,75mm H05 W-F	1	1	Rs 236.00
6	2 600 703 012	Grommet Ø6,5-Ø6,9x95 MM	1	1	Rs 49.00
7	1 601 302 017	Fastening Clamp	1	1	Rs 21.00
12	1 619 P07 647	Suppression Filter	1	1	-,-
13	2 600 905 032	groove ball bearing	1	1	Rs 125.00
14	1 619 P11 240	Ball Bearing	1	1	Rs 67.00
16	1 604 336 035	Brush Holder	2	1	Rs 74.00
17	1 604 652 013	Spiral Spring	2	1	Rs 34.00
18	1 604 611 031	Compression Spring	1	1	Rs 51.00
22	1 602 319 009	Adjusting Slide	1	1	Rs 54.00
23	1 602 026 068	Switch Button BLACK	1	1	Rs 53.00
25	1 605 500 2B1	Housing Cover BLACK	1	1	Rs 148.00
26	1 600 502 024	Intermediate Ring	1	1	Rs 47.00
27	1 600 206 025	Rubber Ring	1	1	Rs 50.00
29	1 600 591 023	Air-Deflector Ring	1	1	Rs 51.00
30	1 600 591 024	Air-Deflector Ring	1	1	Rs 46.00
32	1 603 523 111	Grinding Spindle	1	1	Rs 263.00
33	1 600 210 041	O-Ring 42,0x1,1 MM	1	1	Rs 56.00
35	1 600 136 016	Shim 0,1 MM THICK	1	1	Rs 53.00
	1 600 136 017	Shim 0,2 MM THICK	1	1	Rs 53.00
37	1 600 100 033	Cover Disc	1	1	Rs 50.00
38	2 609 110 150	Crown Gear	1	1	Rs 165.00

Pos.	Part Number	Description	Quantity	Illustration	Listed Price in INR
39	2 609 110 149	Bevel Gear	1	1	Rs 115.00
45	2 915 011 007	Hex Nut DIN 934-M6-8-A	1	1	Rs 19.00
47	2 609 110 052	Special Screw	1	1	Rs 34.00
48	1 619 P00 220	Torx Oval-Head Screw 3x10	2	1	Rs 21.00
49	1 603 435 068	Thread-forming tap. Screw DIN 7500, M4x10, SR10.2	4	1	Rs 32.00
50	2 910 611 020	Tapping Screw DIN 7981-ST3,9x19-C-H	1	1	Rs 32.00
55	2 910 611 022	Tapping Screw DIN 7981-ST3,9x25-C-H	4	1	-,-
80	3 600 150 021	Sealing Disc	1	1	Rs 50.00
650/10	2 602 025 067	Auxiliary Handle M10, Ø32,5x105 MM	1	2	Rs 83.00
650/20	1 619 P09 976	Round Nut With 2 Holes	1	2	Rs 50.00
650/30	1 600 A00 F93	Pin-Type Face-Wrench	1	2	Rs 39.00
650/50	1 605 703 113	Clamping-Flange	1	2	Rs 36.00
651	1 600 A00 F91	Protective Cover Ø 100 MM BLACK	1	2	Rs 287.00
802	1 604 220 328	Field 220-240V	1	1	Rs 420.00
803	1 604 010 626	Armature 220-240V	1	1	Rs 555.00
810	1 607 014 145	Carbon-Brush Set	1	1	Rs 85.00
821	1 605 806 466	Gear Housing	1	1	Rs 482.00
828	1 605 805 090	Bearing Flange BLACK	1	1	Rs 337.00
840	1 607 000 298	Push-Button	1	1	Rs 89.00
841	1 600 910 018	Needle bearing Ø8xØ12x8 MM	1	1	Rs 95.00
857	2 910 641 081	Oval-Head Screw DIN7985-M3,5x5-4.8-H	2	1	Rs 22.00
894	1 615 430 020	Grease Tube 225 ML	1	2	Rs 494.00
895	1 605 430 003	Grease Tube 225 ML	1	2	Rs 953.00

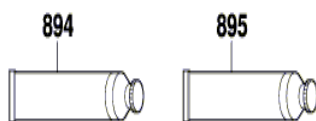
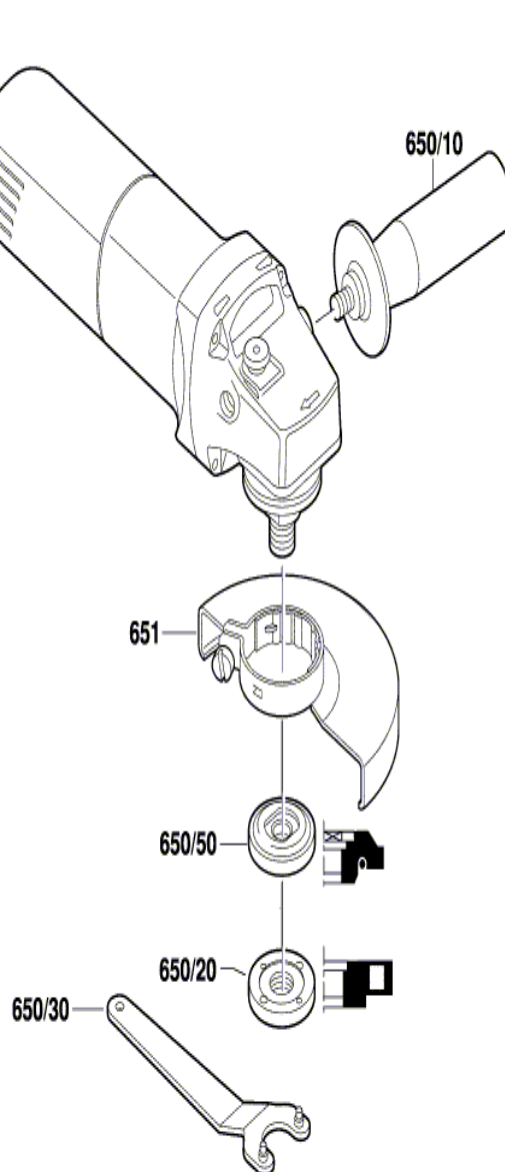
\*

## Illustration 2:

0 601 375 0X2

Stand } 15-11-18  
Issue }

**Fig./Abb. 2**



Änderungen vorbehalten  
Modifications reserved  
Modifications reserves  
Salvo modificaciones