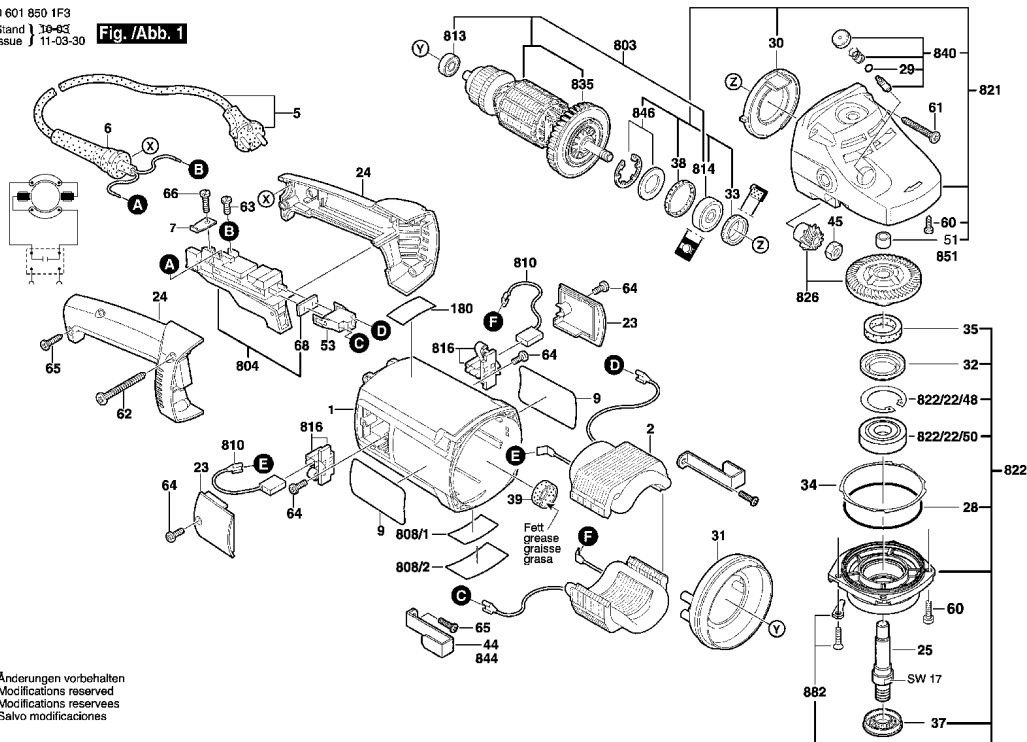




0 601 850 1F3  
Stand } 10-05  
Issue } 11-03-20

**Fig./Abb. 1**



Anderungen vorbehalten  
Modifications reserved  
Modificaciones reserves  
Salvo modificaciones

POS No.	Qty	Part No.	Description	List Price (Rs.)
1	1	1619P09887	Motor Housing .	452
2	1	1604220380	Field 230V .	1355
6	1	1600703023	Grommet Ø10,5-Ø11.	56
7	1	1601302018	Fastening Clamp .	36
9	2	1619P07011	Manufacturer's namep	
23	2	1605500233	Sealing cap BLUE	89
24	1	1605132140	Handle BLUE	274
25	1	1619P00999	Grinding Spindle M14	337
28	1	1600210033	O-Ring 79,0x1,78 MM	36
29	1	1600210045	O-Ring 8,0x1,0 MM .	35
30	1	1600591035	Air Distributor .	53
31	1	1600591036	Air-Deflector Ring .	61
32	1	1600290019	Retaining snap ring .	34
33	1	1600290013	Rotary shaft lip seal I	54
34	1	1600190020	Shim 0,15 MM THICK	36
34	1	1600190021	Shim 0,3 MM THICK	36
34	1	1600190022	Shim 0,1 MM THICK	38
34	1	1600190037	Shim 0,2 MM THICK	22
34	1	1600190038	Shim 0,25 MM THICK	22
34	1	1600190039	Shim 0,35 MM THICK	22
34	1	1600190040	Shim 0,4 MM THICK	22
35	1	1600205034	Felt Washer .	36
37	1	1600290036	Seal ring BLACK	53
38	1	1600206020	Rubber Ring 7 MM W	37
39	1	1600206030	Rubber Ring .	35
44	2	1601334009	Pickup Clip .	25
45	1	1603300019	Hex Nut M10, SW14	35
51	1	2600910001	Needle bearing Ø14 I	95
53	1	1605190068	Socket Housing .	35
60	3	1603435023	Thread-forming tap. S	35

POS No.	Qty	Part No.	Description	List Price (Rs.)
61	4	2912401038	Tapping Screw DIN ;	21
62	2	1603435024	Tapping Screw C4,8;	32
63	2	1603410014	Pan head screw M4x	35
64	4	1603435042	Self-Cutting Screw St	35
65	4	2912401020	Tapping Screw DIN ;	19
66	1	2910211019	Tapping Screw DIN ;	19
68	1	1601006011	Sealing Plate .	35
651	1	1605510406	Protective Cover Ø18	536
803	1	1604011252	Armature 220-240V .	2162
804	1	1607000967	Switch BLACK	763
805	1	3607030489	Power supply cord .	1610
808/1	1	1619P06623	Nameplate .	
808/2	1	1619P01490	Transparent Cover .	26
810	1	1607014171	Carbon-Brush Set .	225
813	1	1600905022	Deep-Groove Ball Bea	128
814	1	1600905023	Deep-Groove Ball Bea	269
816	2	1604336048	Brush Holder .	131
821	1	1607000C00	Gear Housing .	1541
822	1	1607000C21	Bearing Flange Ø180	927
822/22/4;	1	1600119010	Spring retaining ring	36
822/22/5;	1	1600905026	Deep-Groove Ball Bea	194
826	1	1619P02775	Bevel Gear Set .	1158
835	1	1606610127	Fan .	63
840	1	1607000354	Push-Button .	165
844	2	1601334009	Pickup Clip .	25
846	1	1607000342	Retaining Washer .	43
851	1	2600910001	Needle bearing Ø14 I	95
882	1	1619P06597	Stopper .	104
890	1	1600210039	O-Ring 20,35x1,78 M	20
891	1	1619P09013	Auxiliary Handle .	252