

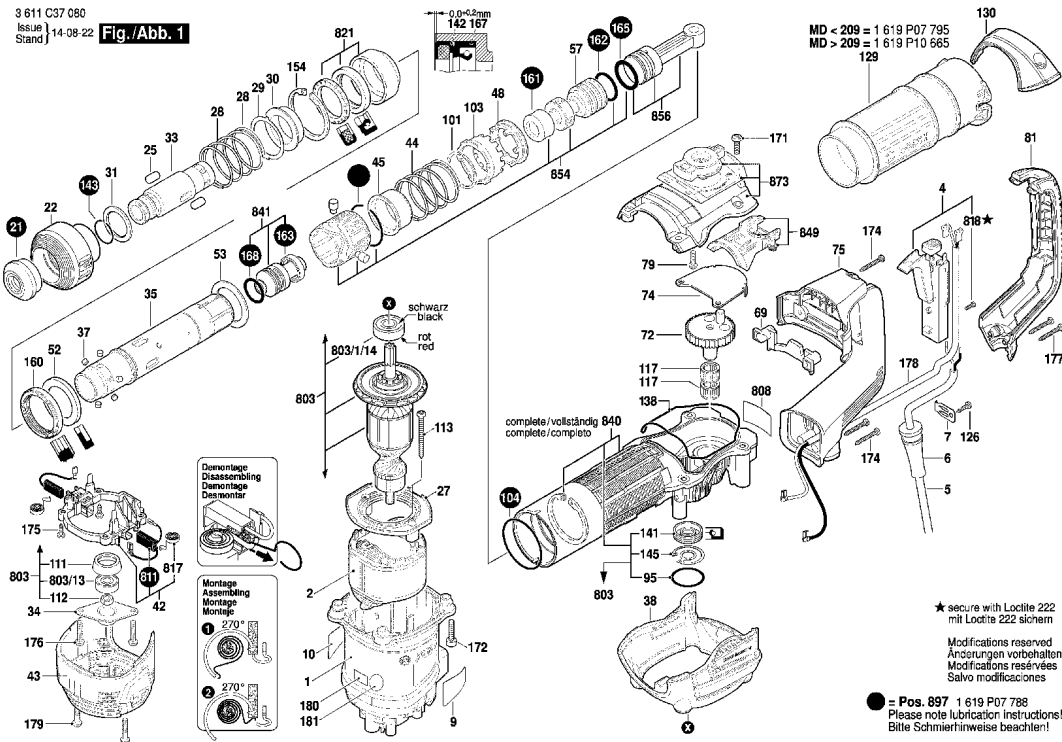


BOSCH
Invented for life

Spare Parts Price List

GSH 5 BASIC

0 611 337 0K0



POS No.	Qty	Part No.	Description	List Price (Rs.)
1	1	1619P07704	Motor Housing .	656
2	1	1619P05379	Field 220-240V .	1071
4	1	1619P07720	Switch .	814
6	1	1619P07722	Grommet .	58
7	1	1601302018	Fastening Clamp .	36
9	1	1619P07728	Manufacturer's namep	
10	1	1619P07835	Sticker GSH 5 .	
21	1	1619P07829	Protective Cap .	103
22	1	1619P07724	Protection Sleeve .	604
25	2	1619P07742	Stopping Device .	226
27	1	1619P07739	Air-Deflector Ring .	68
28	1	1614621000	Compression Spring	53
29	1	1619P10522	Washer .	
30	1	1619P07715	Supporting Disc .	257
31	1	1619P07743	Supporting Disc .	163
33	1	1619P07748	Toolholder .	1260
34	1	1610516013	Flange .	46
35	1	1619P07734	Hammer Pipe .	2599
37	6	1619P07749	Cylindrical Roller .	42
38	1	1619P07710	Covering hood BLUE	368
42	1	1619P07754	Brush Holder .	617
43	1	1619P07711	Fan Cover BLACK	326
44	1	1619P07755	Compression Spring	76
45	1	1619P07756	Control Bushing .	299
48	1	1619P07780	Clutch Sleeve .	173
52	1	1619P07738	Stop Sleeve .	168
53	1	1619P07792	Supporting Disc .	68
57	1	1619P07762	Striker .	756
69	1	1610099004	Retaining Bracket .	81
72	1	1619P07723	Eccentric Cog Wheel	1796

POS No.	Qty	Part No.	Description	List Price (Rs.)
74	1	1619P07772	Guide Plate .	68
75	1	1619P07708	Handle .	415
79	2	1613435015	Torx Oval-Head Screw	38
81	1	1619P07709	Handle Cover .	389
84	1	1612025060	Auxiliary Handle M8 E	172
85	1	1619P07774	index turning toolhold	
86	1	1613490002	T-Head Bolt M8x40 M	57
87	1	1619P07776	Clamping Band .	85
95	1	1610210173	O-Ring 32,0x1,5 MM	35
101	1	1610224009	Retaining ring .	40
103	1	1619P07781	Bushing .	368
104	1	1619P07740	O-Ring .	79
111	1	1610290064	Bushing .	35
112	1	1613300008	Hex Nut DIN 936-M8	34
113	2	1613435009	Tapping Screw ST-4.	36
117	2	1619P07713	Needle-Roller Assembl	100
126	1	2910211019	Tapping Screw DIN ;	19
129	1	1619P10665	Holding Sleeve .	
130	1	1619P07796	Cover .	147
138	1	1619P07797	Sealing Frame .	110
141	1	1610290066	Rotary shaft lip seal .	218
143	1	1614601021	Retaining ring DIN 78	75
145	1	1610119012	Spring retaining ring	37
154	1	1619P07801	Clip .	147
160	1	1619P07806	Damping Ring .	194
161	1	1610290093	Damping rubber .	40
162	1	1610210091	O-Ring 24,0x4,0 MM	75
163	1	1610290065	Seal ring .	106
165	1	1610210153	O-Ring 25,0x4,0 MM	62
168	1	1610210144	O-Ring 22,0x3,0 MM	36

* Refer Accessories Price List

w.e.f 01.04.2015