



BOSCH

Invented for life

Spare Parts Price List

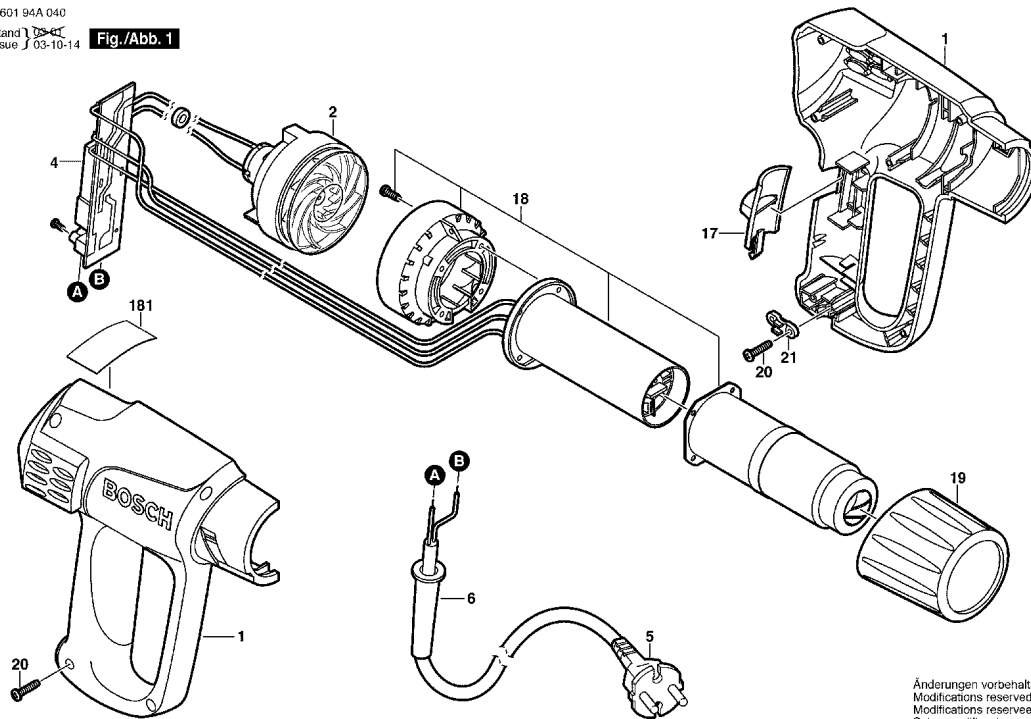
GHG 500-2

0 601 94A 050

0 601 94A 040

Stand 1
issue J 03-10-14

Fig./Abb. 1



Änderungen vorbehalten
 Modifications reserved
 Modifications reserves
 Salvo modificaciones

POS No.	Qty	Part No.	Description	List Price (Rs.)
1	1	1609203M78	Housing Section .	891
2	1	1609203H52	Motor Block 220-230	491
4	1	1609203H53	Connecting Block 22	638
5	1	1609202797	Power supply cord .	671
6	1	1609202606	Grommet .	50
17	1	1609203H54	Switch Button .	137
18	1	1609203H55	Heating Element 220	1295
19	1	1609203H56	Protective Tube .	256
20	7	2910615407	Tapping Screw DIN ;	19
21	1	1609203102	Fastening Clamp .	35

POS No.	Qty	Part No.	Description	List Price (Rs.)
---------	-----	----------	-------------	------------------