



BOSCH

Invented for life

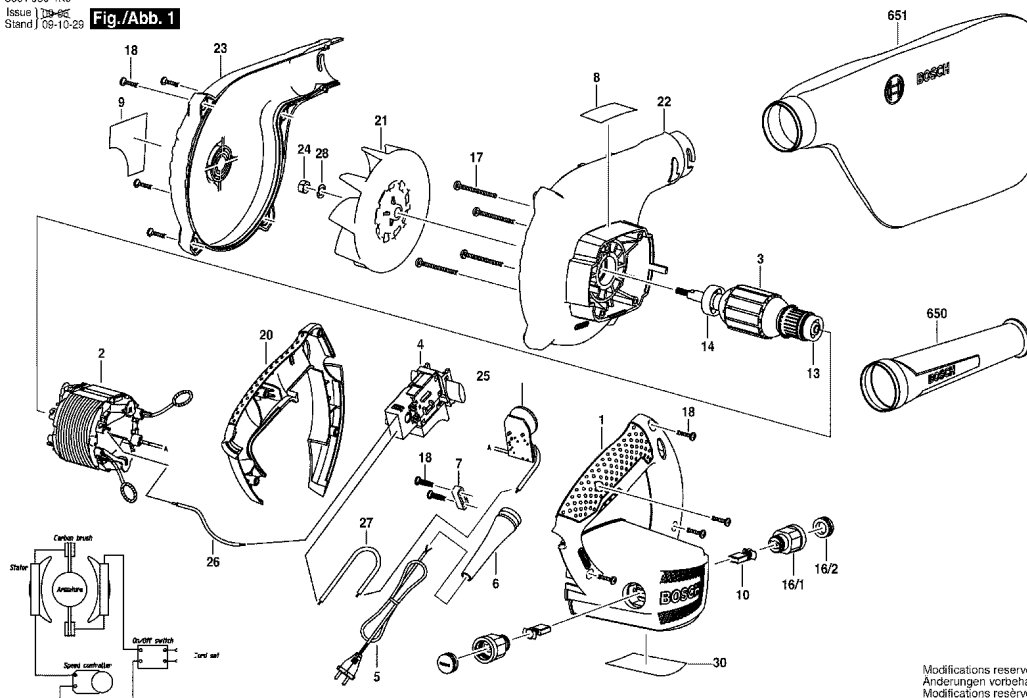
Spare Parts Price List

GBL 800 E

0 601 980 4F0

3601 J80 4KO
Issue | 09-10-25
Stand | 09-10-25

Fig./Abb. 1



Modifications reserved
Änderungen vorbehalten
Modifications réservées
Salvo modificaciones

POS No.	Qty	Part No.	Description	List Price (Rs.)
1	1	160510829B	Motor Housing .	116
2	1	1604220439	Field 220-240V .	638
3	1	1604010B1E	Armature 230V .	483
4	1	2607200637	Switch .	84
5	1	F002G30101	Power supply cord .	96
6	1	2600703017	Grommet Ø6,4-Ø7,2x	51
7	1	2601035001	Cable Clip .	32
9	1	1601118N81	Manufacturer's namepl	
10	1	1607000438	Carbon-Brush Set .	142
13	1	1900905018	Deep-Groove Ball Be	163
14	1	1900905025	Deep-Groove Ball Be	67
16/1	1	1600A00187	Brush Holder .	107
16/2	1	1600A00188	Cover .	50
17	4	2914201712	Oval-Head Screw 4x	
18	10	F002G31025	Screw .	22
20	1	1605132159	Handle .	68
21	1	1606610156	Fan .	62
22	1	1600A0015P	Fan Housing .	90
23	1	1600A0015N	Fan Cover .	138
24	1	1613300006	Hex Nut M6 .	32
25	1	1607233593	Speed governor .	573
26	1	1604413007	Connecting Cable .	50
27	1	1604413008	Connecting Cable .	35
28	1	1600100036	Cover Disc .	50
650	1	1605190265	Blast Nozzle .	287
651	1	1605411034	Dust Bag .	353

POS No.	Qty	Part No.	Description	List Price (Rs.)
---------	-----	----------	-------------	------------------