



BOSCH

Invented for life

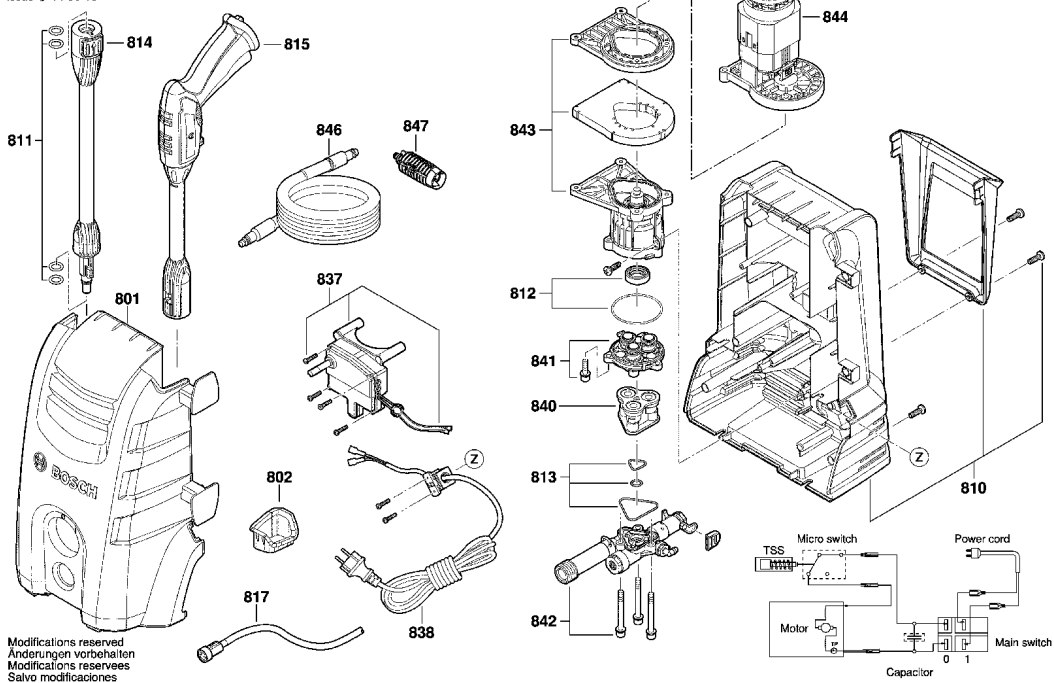
Spare Parts Price List

AQT 33-10

0 600 8A7 0F0

3 600 HA7 040
Stand 13-09-06
Issue 14-06-10

Fig./Abb. 1



Modifications reserved
Änderungen vorbehalten
Modifications reserves
Salvo modificaciones

| POS No. | Qty | Part No. | Description | List Price (Rs.) |
|---------|-----|------------|----------------------|------------------|
| 801 | 1 | F016F04448 | front cover . | 851 |
| 802 | 1 | F016F04653 | Cover . | |
| 810 | 1 | F016F04453 | Cover . | 851 |
| 811 | 1 | F016F04458 | Seal Kit . | 184 |
| 812 | 1 | F016F04459 | Seal Kit . | 184 |
| 813 | 1 | F016F04460 | O-Ring . | 184 |
| 814 | 1 | F016F04462 | Lance . | 391 |
| 815 | 1 | F016F04463 | Trigger . | 851 |
| 817 | 1 | F016F04438 | Hose . | 126 |
| 837 | 1 | F016F04439 | Switch Box . | 1491 |
| 838 | 1 | F016F04434 | Power supply cord IN | 987 |
| 840 | 1 | F016F04440 | Pump unit . | 436 |
| 841 | 1 | F016F04441 | Piston Guide . | 90 |
| 842 | 1 | F016F04442 | Pump head . | 656 |
| 843 | 1 | F016F04445 | Oil Reservoir . | 987 |
| 844 | 1 | F016F04455 | Motor . | 2499 |
| 846 | 1 | F016F04583 | High-Pressure Hose . | 652 |
| 847 | 1 | F016L72551 | Wide Angle Nozzle . | |

| POS No. | Qty | Part No. | Description | List Price (Rs.) |
|---------|-----|----------|-------------|------------------|
|---------|-----|----------|-------------|------------------|