



BOSCH
Invented for life

Spare Parts Price List

GKS 235

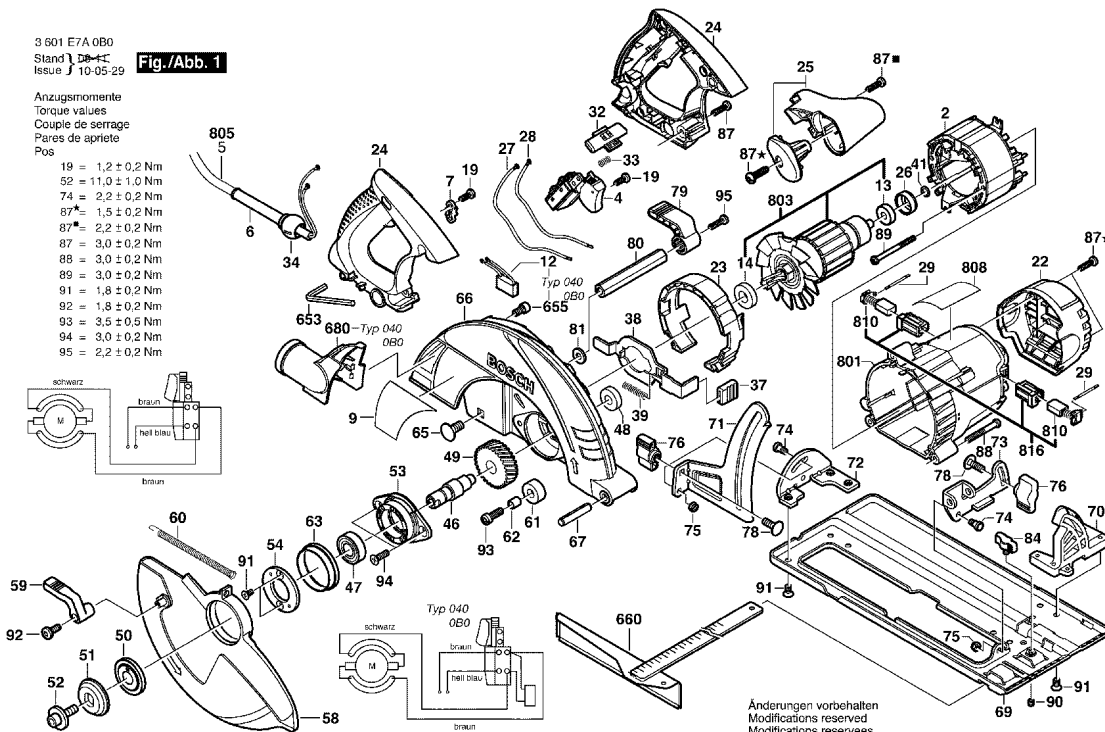
0 601 57A 0F2

3 601 E7A 0B0
Stand } 2014
Issue } 10-05-29

Fig./Abb. 1

Anzugsmomente
Torque values
Couple de serrage
Pares de apriete
Pos

- 19 = 1,2 ± 0,2 Nm
- 52 = 11,0 ± 1,0 Nm
- 74 = 2,2 ± 0,2 Nm
- 87* = 1,5 ± 0,2 Nm
- 87** = 2,2 ± 0,2 Nm
- 87 = 3,0 ± 0,2 Nm
- 88 = 3,0 ± 0,2 Nm
- 89 = 3,0 ± 0,2 Nm
- 91 = 1,8 ± 0,2 Nm
- 92 = 1,8 ± 0,2 Nm
- 93 = 3,5 ± 0,5 Nm
- 94 = 3,0 ± 0,2 Nm
- 95 = 2,2 ± 0,2 Nm



Anderungen vorbehalten
Modifications reserved
Modificaciones reservadas
Salvo modificaciones

POS No.	Qty	Part No.	Description	List Price (Rs.)
2	1	1619P01925	Field 230V .	817
4	1	1619P01115	Switch .	365
5	1	1619P02327	Power supply cord .	
6	1	2600703013	Grommet Ø7,6-Ø8,2x	57
7	1	1619P01104	Cable Clip .	32
9	1	1619P02718	Label GKS 235 .	
13	1	2610017348	Deep-Groove Ball Be	245
14	1	1619P06095	Deep-Groove Ball Be	279
19	3	2603490021	Torx Oval-Head Scre	20
22	1	1619P01139	End cap .	132
23	1	1619P01140	Baffle BLACK	85
24	1	1619P01141	Set Of Handles BLU	327
25	1	1619P01142	Auxiliary Handle BLA	196
26	1	1619P01127	Rubber Ring .	19
27	1	1619P01151	Cable .	36
28	1	1619P01152	Cable .	36
29	2	1619P04505	Cable .	22
32	1	1619P01156	Switch Button .	
33	1	2610935251	Compression Spring	32
34	1	1619P01637	Strain-Relief Clamp .	32
37	1	1619P01143	Cap BLACK	32
38	1	1619P01620	Guide Bracket .	85
39	1	1619P01642	Compression Spring	21
41	1	1619P07414	Shim Ring .	32
46	1	1619P01623	Shaft .	293
47	1	1900905279	Deep-Groove Ball Be	575
48	1	1900905173	Deep-Groove Ball Be	104
49	1	1619P01624	Cylindrical Gear .	327
50	1	1619P01153	Washer .	85
51	1	1619P01626	Locking Washer .	75

POS No.	Qty	Part No.	Description	List Price (Rs.)
52	1	1619P01634	Clamp Screw .	32
53	1	1619P01628	Bearing Flange .	177
54	1	1619P01629	Retaining Plate .	84
58	1	1619P01630	Pivoting Blade Guard	478
59	1	1619P01631	Lever .	50
60	1	1619P01632	Extension Spring .	51
61	1	1619P01633	Bumper .	27
62	1	1619P02580	Spacer Tube .	32
63	1	1619P01635	Flange Bushing .	32
65	1	1619P06522	Stud bolt .	32
66	1	1619P01639	Protective Guard .	802
67	1	2917780185	Slotted Spring Pin DII	50
69	1	1619P01665	Base Plate .	982
70	1	1619P01666	Hinge Bracket .	214
71	1	1619P01154	Depth-Gauge .	196
72	1	1619P01155	Support bracket .	102
73	1	1619P01158	Hinge .	132
74	2	2610923224	Shoulder Screw .	32
75	2	2915061003	Hex Nut DIN 985-M	50
76	2	1619P01636	Wing Nut .	32
78	2	2910281201	Round-Head Bolt DIN	20
79	1	1619P01668	Adjusting Lever .	20
80	1	1619P01669	Rod .	104
81	1	2916021013	Plain Washer 8-ST .	30
84	1	1619P01618	Wing Screw BLACK	20
87	9	1619P01643	Screw .	20
88	3	1619P01644	Screw .	20
89	2	1619P01676	Screw .	20
90	1	2610924685	Adjusting Screw .	32
91	10	1619P01677	Screw M5x10-H .	32