



BOSCH
Invented for life

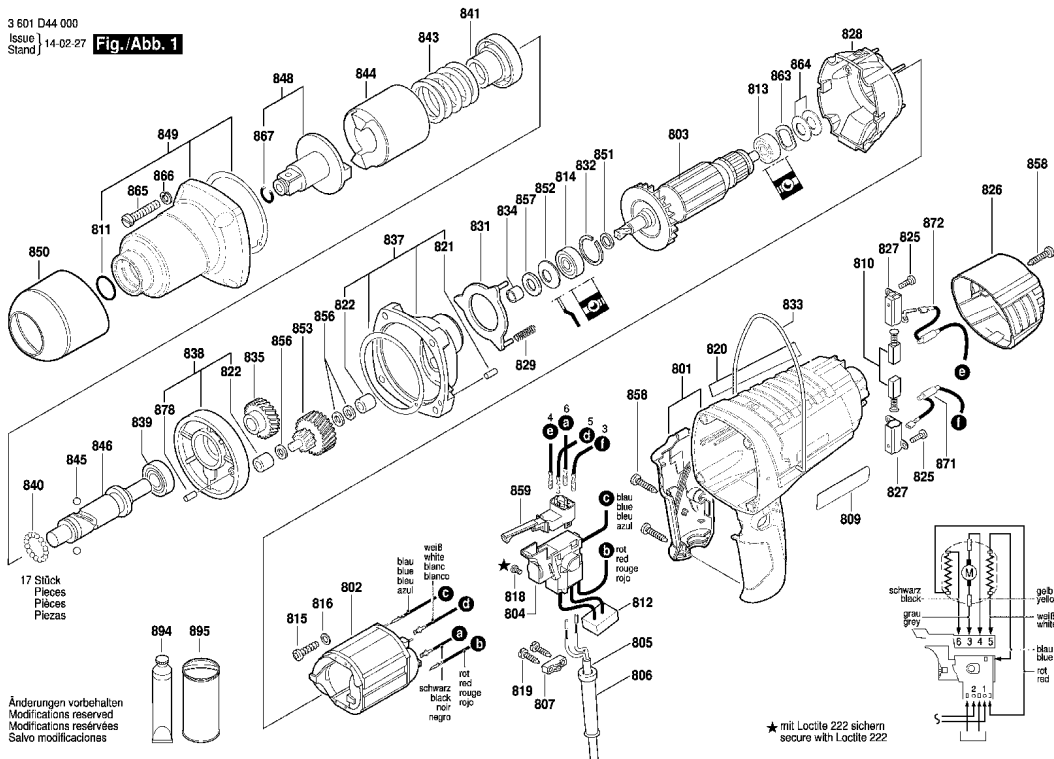
Spare Parts Price List

GDS 18 E

0 601 444 000

3 601 D44 000
Issue
Stand } 14-02-27

Fig./Abb. 1



Anderungen vorbehalten
Modifications reserved
Modifications réservées
Salvo modificaciones

★ mit Loctite 222 sichern
secure with Loctite 222

POS No.	Qty	Part No.	Description	List Price (Rs.)
801	1	1619PA2434	Motor Housing .	
802	1	1619PA2435	Field 220-230V .	1618
803	1	1619PA2436	Armature 220-230V .	2625
804	1	1607200252	On-Off Switch .	2373
805	1	1607000227	Power supply cord EI .	662
806	1	1619PA2888	Grommet .	
807	1	1619PA2889	Cable Clip .	
809	1	1619PA2437	Manufacturer's nameplate .	
810	1	1619PA2438	Carbon-Brush Set .	
811	1	1619PA2989	O-Ring .	61
812	1	1619PA2439	Suppression Capacitor .	
813	1	1900905018	Deep-Groove Ball Bearing .	163
814	1	2600905021	Deep-Groove Ball Bearing .	186
815	2	1619PA2440	Screw .	
816	2	1619PA2441	Spring Washer .	
818	2	1619PA2442	Screw .	
819	2	1619PA2443	Screw .	
820	1	1619PA2444	Nameplate .	
821	1	2917500095	Straight Pin 4 H 8x12 .	36
822	2	2600914010	Needle bearing Ø6 M .	65
825	4	1619PA2445	Screw .	30
826	1	1619PA2446	Housing Cover .	
827	2	1619PA2890	Brush Holder .	90
828	1	1619PA2447	Air-Deflector Ring .	270
829	3	1619PA2990	Compression Spring .	30
831	1	1619PA2448	Supporting Disc .	
832	1	2916660008	Spring retaining ring [.	36
833	1	1619PA2449	Suspension Loop .	
834	1	1619PA2991	Receptacle .	
835	1	1619PA2450	Cylindrical Gear .	

POS No.	Qty	Part No.	Description	List Price (Rs.)
837	1	1619PA2451	Intermediate Bearing .	
838	1	1619PA2452	Intermediate Flange .	
839	1	1900900287	Deep-Groove Ball Bearing .	533
840	17	1903230007	Ball DIN 5401-4 MM .	22
841	1	1619PA2992	Bushing .	
843	1	1619PA2993	Compression Spring .	
844	1	1619PA2994	Striker .	
845	2	1903230013	Ball DIN 5401-Ø7MM .	21
846	1	1619PA2995	Drive Shaft .	
848	1	1619PA2453	Tool Holding Fixture .	5166
849	1	1619PA2454	Impact Mechanism Housing .	2360
850	1	1619PA2455	Protective Cover .	
851	1	1619PA2996	Spacer Ring .	
852	1	1619PA2997	Cupped Washer .	
853	1	1619PA2456	Toothed Shaft .	1460
856	4	1619PA2457	Shim .	
857	1	1619PA2998	Felt Washer .	
858	4	1619PA2458	Screw .	
859	1	2607200176	Change-Over Switch .	
863	1	2600150004	Shim .	35
864	2	1619PA2999	Shim .	32
865	4	1619PA2459	Screw .	
866	4	2916690004	Spring Lock Washer .	34
867	1	1619PA3000	Retaining ring .	
871	1	1619PA2460	Suppressor Box .	
872	1	1619PA2891	Suppressor Box .	
878	1	2917500101	Straight Pin 4 H 8x24 .	47
894	1	1615430020	Grease Tube 225 ML .	494
895	1	3605430003	Grease Tube Albida .	708