



# BOSCH

Invented for life

## Spare Parts Price List

GDR 14.4 V-LI

0 601 9A1 4K0

3 601 JA1 400

Stand } 2008

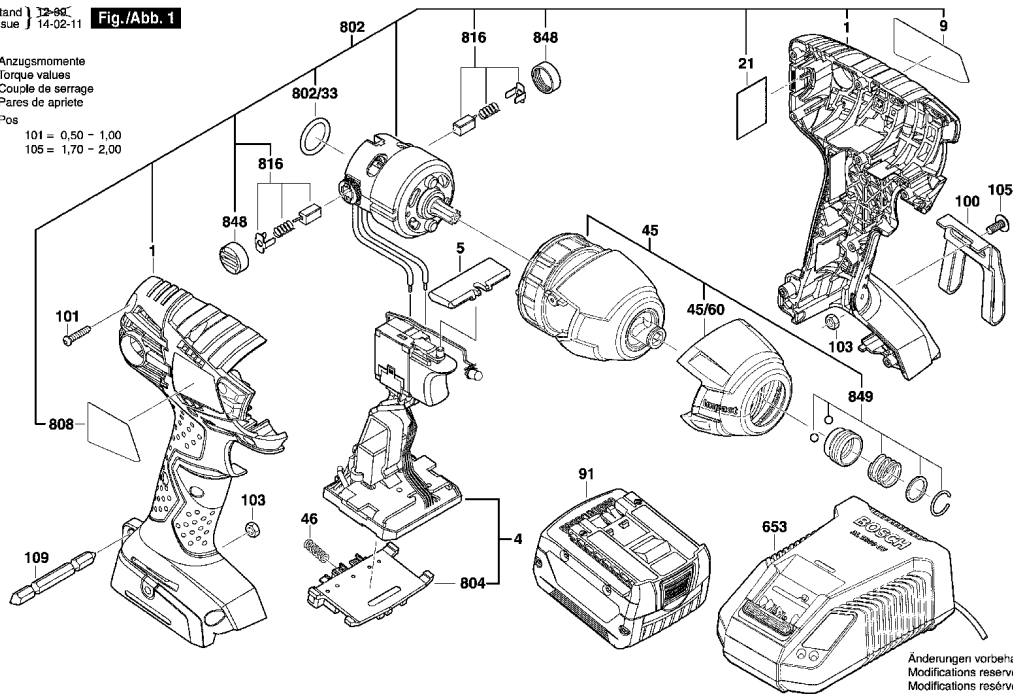
Issue } 14.02.11 Fig./Abb. 1

Anzugsmomente  
Torque values  
Couple de serrage  
Pares de apriete

Pos

101 = 0,50 - 1,00

105 = 1,70 - 2,00



Anderungen vorbehalten  
Modifications reserved  
Modifications réservées  
Salvo modificaciones

POS No.	Qty	Part No.	Description	List Price (Rs.)
1	1	2609101136	Housing .	1103
4	1	1607233479	Electronics Module .	2520
5	1	2609100698	Button .	46
9	1	2609132047	Manufacturer's namepl	
21	1	2609111485	Wire Mesh .	48
45	1	2609199694	Gear Box .	2888
45/60	1	2609170128	Cap .	160
46	1	1609280477	Compression Spring	40
91	1	2607336149	Battery Set 14.4V, 1.	3638
91	1	2607336223	Slide-In Accu Packag	6624
91	1	2607336077	Slide-In Accu Packag	5521
91	1	2607336877	Slide-In Accu Packag	5940
100	1	2609110833	Clip .	194
101	9	2609110201	Torx Flat-Head Screw	21
103	2	2609110835	Nut .	21
105	2	2609110834	Screw .	21
109	1	2609110343	Screwdriver Blade .	75
653	1	2607225423	Fast Charger EU 230	2574
653	1	2607225325	Fast Charger AUS 24	3772
653	1	2607225321	Charger EU 230/10,8	3772
653	1	2607225323	Charger GB 230/10,8	2183
802	1	2609199312	DC motor .	2144
802/33	1	2609170104	O-Ring .	21
804	1	1609280474	Contact retainer .	347
808	1	2609131976	Nameplate .	
816	1	2609199169	Carbon-Brush Set .	228
848	1	2609199190	Brush-Cover .	291
849	1	2609199223	Bit holder .	260

POS No.	Qty	Part No.	Description	List Price (Rs.)
---------	-----	----------	-------------	------------------