



BOSCH
Invented for life

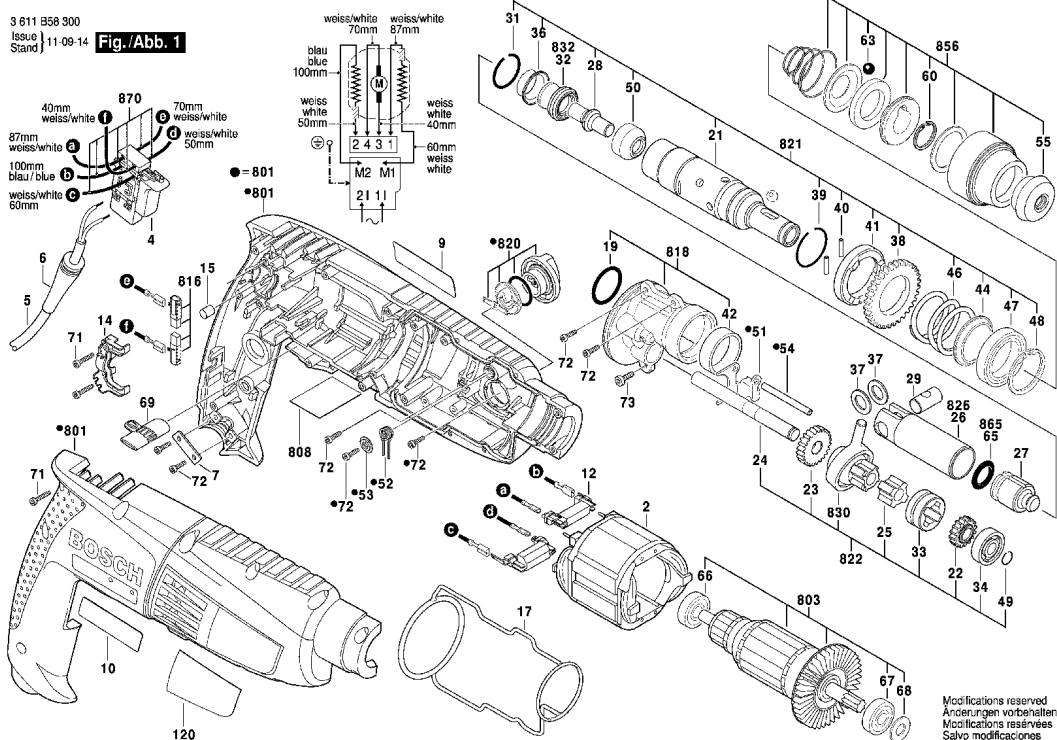
Spare Parts Price List

GBH 2-18 RE

3 611 B58 3K0

3 611 B58 300
Issue
Stand | 11 09 14

Fig./Abb. 1



Modifications reserved
Änderungen vorbehalten
Modifications réservées
Salvo modificaciones

POS No.	Qty	Part No.	Description	List Price (Rs.)
2	1	1614220182	Field 230V .	515
4	1	1617200515	Switch .	731
5	1	1614460026	Power supply cord EI	689
6	1	2600703018	Grommet Ø7,3-Ø8,6x	54
7	1	1611035007	Cable Clip .	21
9	1	1619P00863	Manufacturer's namep	
10	1	1619P00864	Manufacturer's namep	
12	2	1614465012	Adapter module .	63
14	1	1615806187	Bearing Bracket .	46
15	2	2603100056	Rubber Buffer .	39
17	1	1611015055	Sealing Frame .	161
19	1	1610210184	O-Ring 22,0x2,5 MM	21
21	1	1615806188	Hammer Pipe .	731
22	1	1616317069	Pinion .	161
23	1	1616317070	Cylindrical Gear .	186
24	1	1613101011	Transmission Shaft .	138
25	1	1616409023	Coupling hub .	61
27	1	1618710085	Striker .	247
28	1	1613124084	Striker Pin .	89
29	1	1613100034	Piston Pin .	61
31	1	1614601053	Retaining ring .	21
33	1	1610322014	Switching Element .	89
34	1	1610905034	Deep-Groove Ball Be	139
36	1	1610551008	Holding Plate .	34
37	2	1610100016	Guide Disc .	34
38	1	1616317072	Cylindrical Gear .	139
39	1	1614601055	Retaining ring .	21
40	2	1613100032	Straight Pin .	19
41	1	1610102072	Ratchet Disc .	122
42	1	1610301004	Plain bearing .	75

POS No.	Qty	Part No.	Description	List Price (Rs.)
44	1	1610190054	Support Disc .	34
46	1	1614630002	Compression Spring .	76
47	1	1610905035	Deep-Groove Ball Be	436
48	1	1614601054	Retaining ring .	34
49	1	1619P00829	Retaining ring .	21
50	1	1610400039	Guide Bushing .	107
51	1	1613231014	Shift Plate .	76
52	1	1614690005	Coiled Spring .	34
53	3	1619P00828	Pressure Disc .	21
54	1	1613100033	Guide Rod .	34
55	1	1610508052	Protective Cap .	34
60	1	1614601077	Spring retaining ring	42
63	1	1903230013	Ball DIN 5401-Ø7MM	21
66	1	1900905029	Deep-Groove Ball Be	317
67	1	1610905033	Ball Bearing .	186
68	1	1614601052	Plain Washer .	21
69	1	1613231016	Change-Over Switch	21
71	16	1619P00219	Tapping Screw .	34
72	6	1619P00220	Torx Oval-Head Scre	21
73	3	2914201483	Torx Oval-Head Scre	21
120	1	1619P00846	Warning Label .	
651	1	2602025149	Auxiliary Handle .	186
652	1	1613001009	Depth-Gauge S/W 6x	78
655	1	1618571031	Key Chuck .	863
655/872	1	2607950007	Chuck Wrench SG2	128
801	1	1619P01769	Housing Set .	440
803	1	1619P01771	Armature 220-240V .	1322
808	1	1619P01726	Nameplate .	
816	1	1619P01777	Carbon-Brush Set .	242
818	1	1619P01772	Intermediate Flange	312

* Refer Accessories Price List

w.e.f 01.04.2015